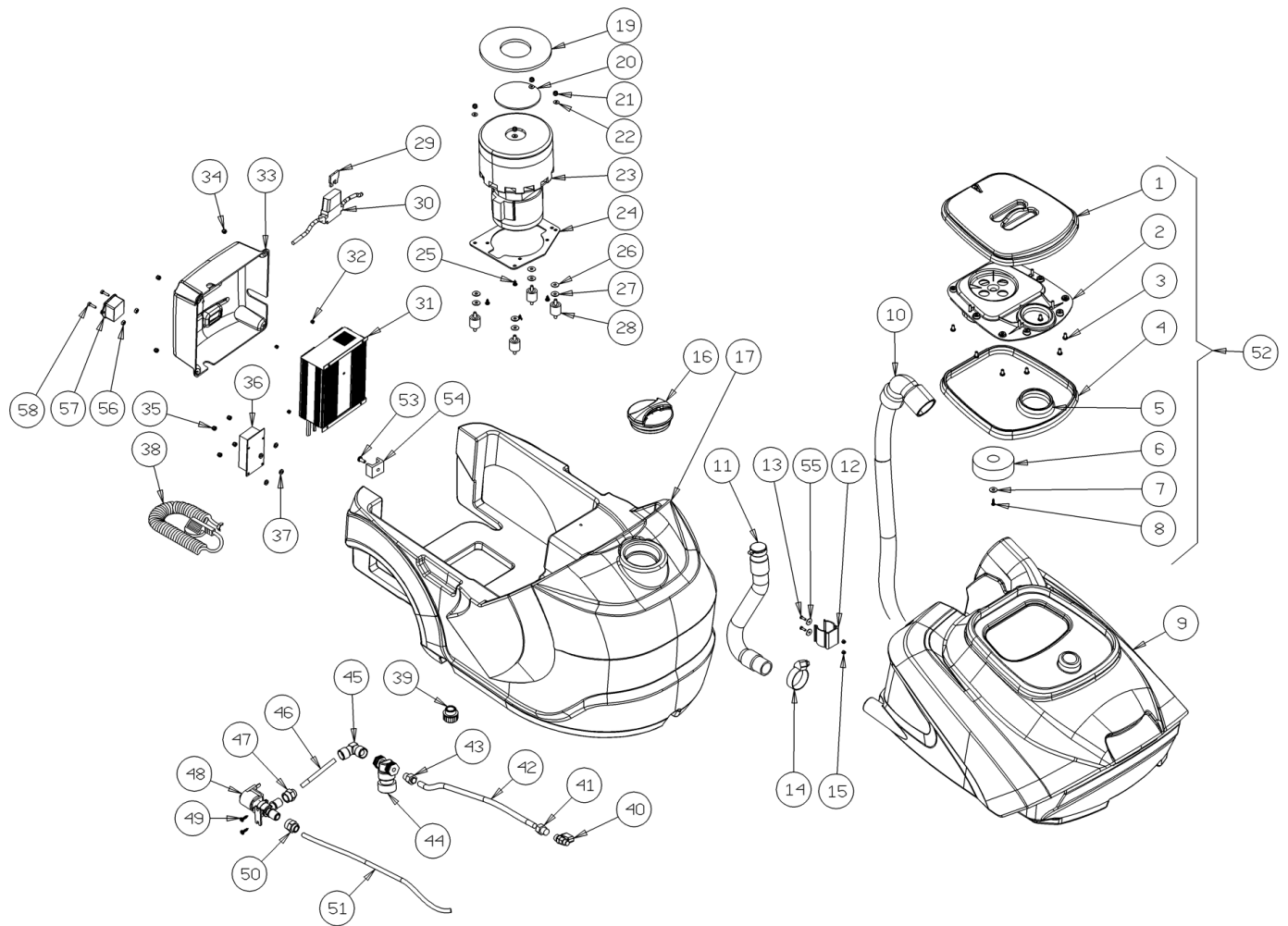




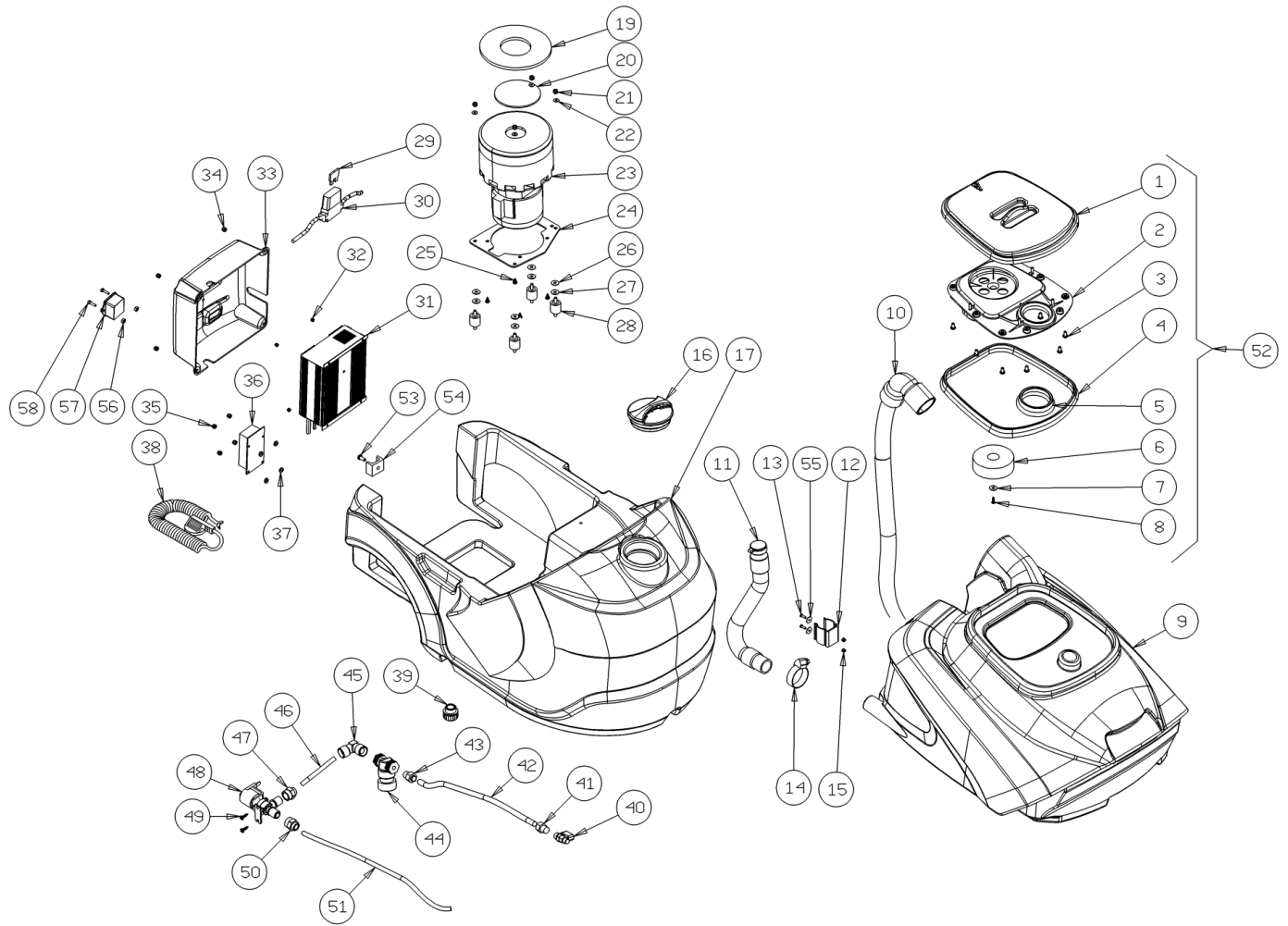
TRON SRL VIA GUIDO ROSSA 17/19  
25060 CELLATICA (BS) ITALY  
TEL. +390302773940  
FAX.+390302773015  
Email : [info@tron.it](mailto:info@tron.it)    [www.tron.it](http://www.tron.it)

## Spare Parts List

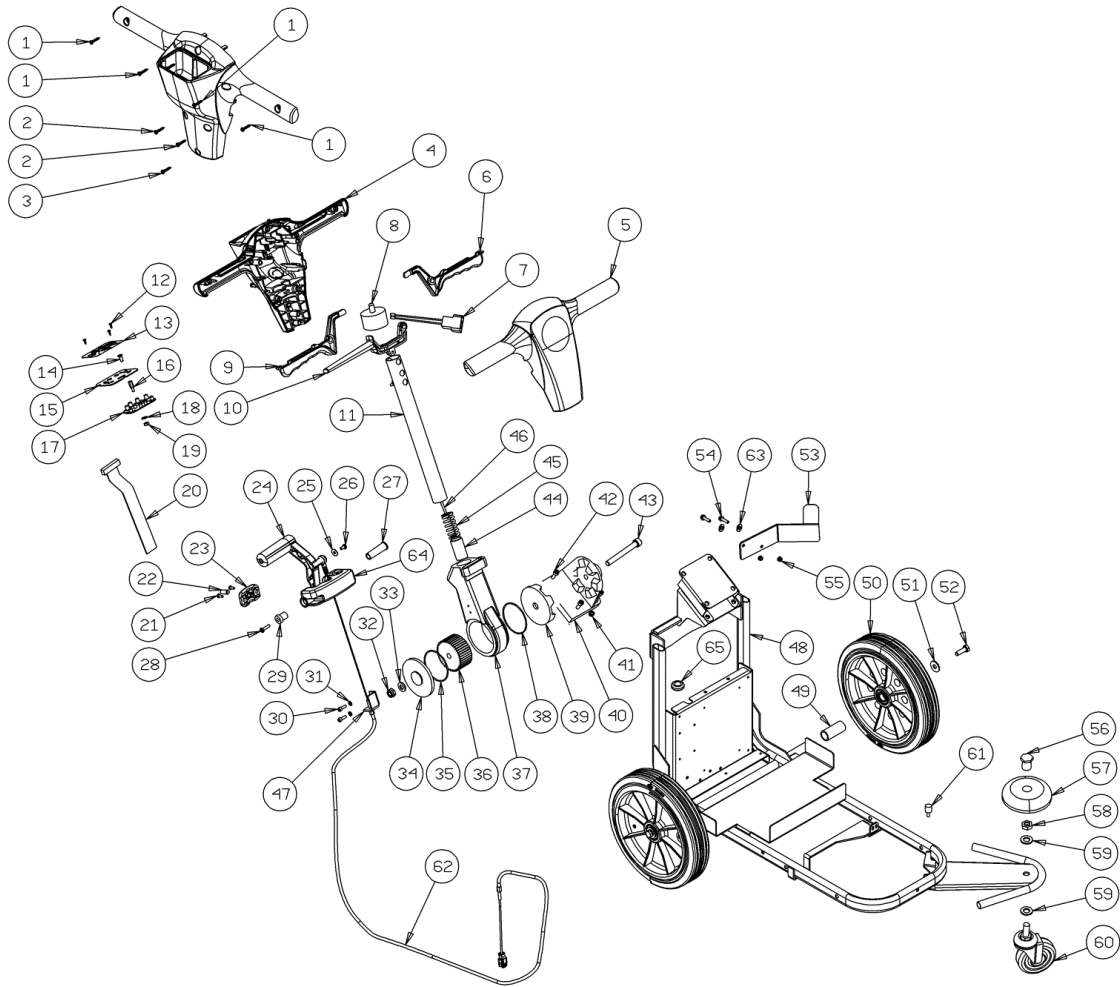
Model: ROLTRON 460B



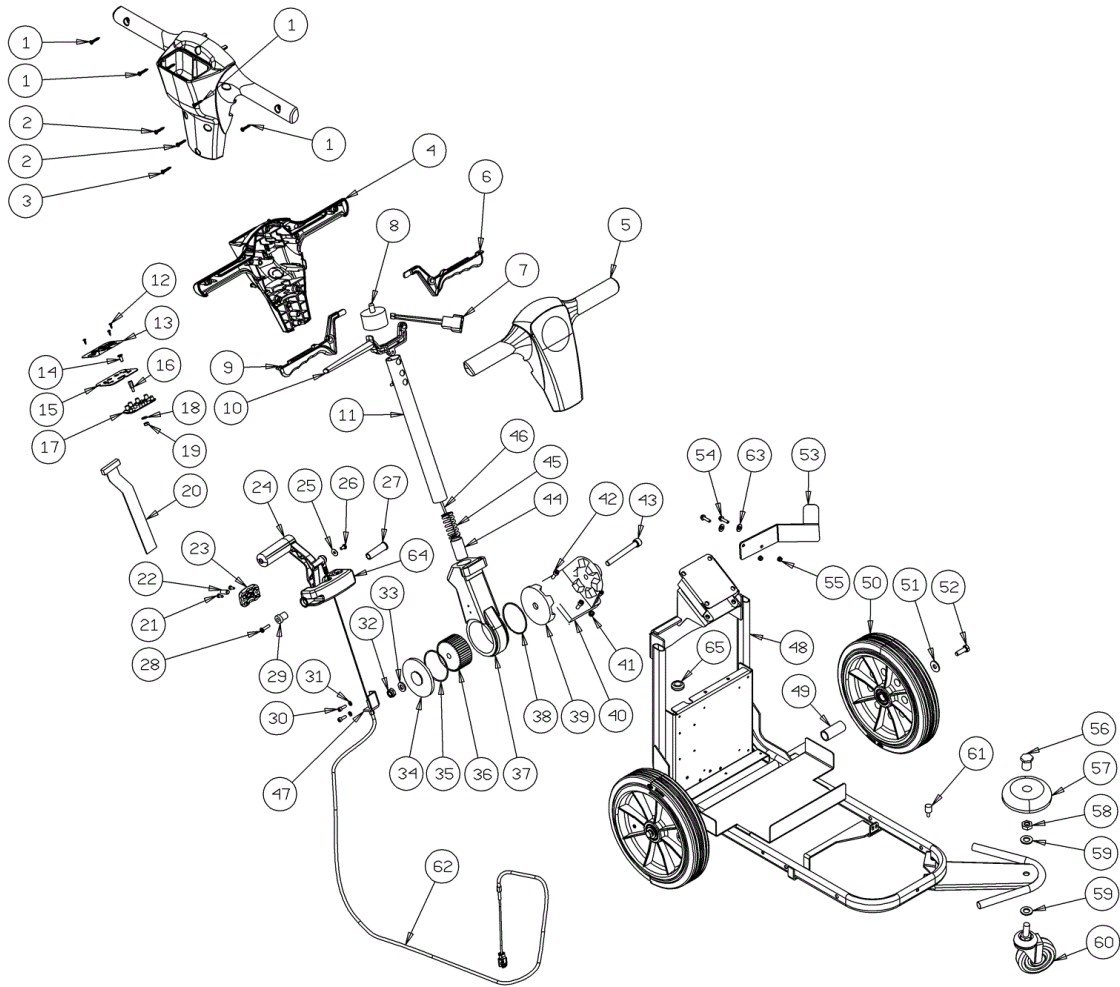
Ref.	K	Part N.	Customer Part N.	Description	Qty	Validity:		Price
						From	To	
0001		MPVR05825		COVER -	1,00			--
0002		MPVR05826		COVER -	1,00			--
0003		VTVT01694		SCREW TCB TC 5 X10 UNI 9707 TZ	8,00			--
0004		GUVR00306		GASKET -	1,00			--
0005		GUVR00307		GASKET -	1,00			--
0006		MPVR05836		FLOATER -	1,00			--
0007		VTRS00573		WASHER 30x6x3	1,00			--
0008		VTVT48694		SCREW TCB TC 5 X12 UNI 9707 TZ	1,00			--
0009		MPVR05912		TANK -	1,00			--
0010		TBFX00351		TUBE SQUEEGEE	1,00			--
0011		TBFX00350		TUBE HOSE DRAIN CT30	1,00			--
0012		MPVR46988		CLIP LAV. SHK	1,00			--
0013		VTVT29884		SCREW TE M 4X 16 UNI 5739	2,00			--
0014		FSVR00002		CLAMP EKOFLEX 9 23-35	1,00			--
0015		VTDD04369		NUT M 4 TEF UNI 7473	2,00			--
0016		MPVR05188		CAP -	1,00			--
0017		MPVR05913		TANK -	1,00			--
0019		GUGO00444		GASKET -	1,00			--
0020		LAFN05830		NET FERMA FILTRO INOX	1,00			--
0021		VTDD07727		NUT M 5 INOX	4,00			--
0022		VTRS15908		WASHER D. 5 INX GRW UNI 1751	4,00			--
0023		MEVR05200		CARBON MOTORE ASP.AMET.116599-13	2,00			--
0023		MOCC00397		MOTOR CT15	1,00			--
0024		LAFN08894		PLATE -	1,00			--
0025		VTVT48694		SCREW TCB TC 5 X12 UNI 9707 TZ	4,00			--
0026		VTRS13750		WASHER D. 5X14 INX	4,00			--
0027		VTRS13750		WASHER D. 5X14 INX	4,00			--
0028		ABGO00052		VIBRATION DAMP.-	4,00			--
0029		MEVR02048		FUSE 40A	1,00			--
0030		MECB01286		WIRING	1,00			--
0031		BACA00156		BATTERY-CHARGER-	1,00			--
0032		VTDD00001		NUT UNI 5588 M3 ZB	4,00			--
0033		MPVR05915		COVER -	1,00			--
0034		VTDD04368		NUT M 4 ZIN UNI 5588	4,00			--
0035		VTDD04368		NUT M 4 ZIN UNI 5588	4,00			--
0036		MECE00529		BOARD CT15	1,00			--
0037		VTRS00377		WASHER M4	4,00			--
0038		MECB00922		EXTENSION 3X0,75 SPINA SHUKO	1,00			--
0039		MPVR08003		CAP	1,00			--



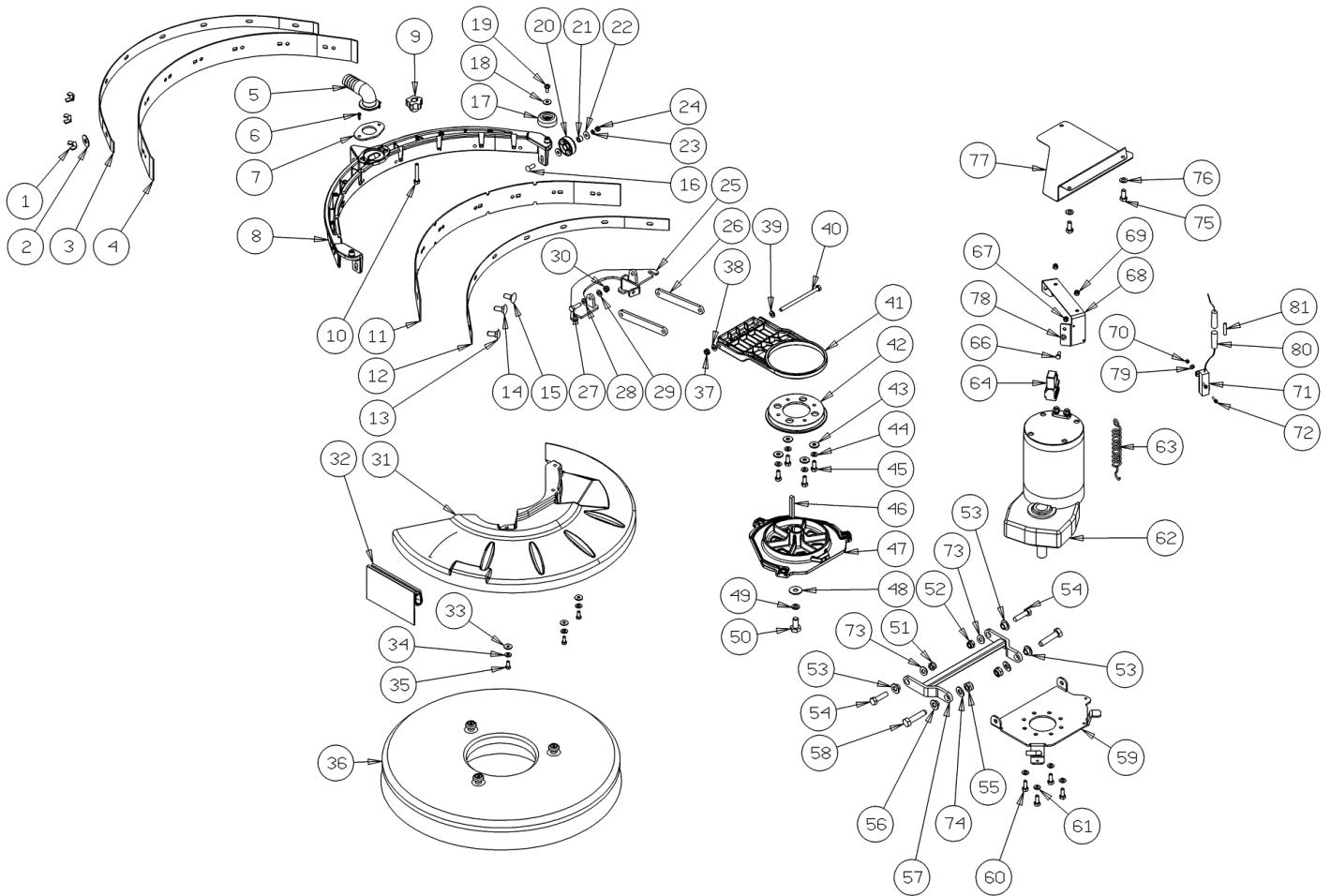
Ref. K	Part N.	Customer Part N.	Description	Qty	Validity:		Price
					From	To	
0040	RCGR00081		VALVE -	1,00			--
0041	RCVR00770		CONNECTOR 1/8	1,00			--
0042	TBBP00481		TUBE -	0,32			--
0043	RCVR00771		CONNECTOR 1/4	1,00			--
0044	FTAC00042		FILTER -	1,00		02/2012	--
0044	FTAC00044		FILTER -	1,00	02/2012		--
0045	RCVR00773		CONNECTOR 1/4	1,00			--
0046	TBBP00481		TUBE -	0,20			--
0047	RCVR00772		CONNECTOR 1/4	1,00			--
0048	PMVR01983		SOLENOID VALVE CT30	1,00			--
0049	VTVT48694		SCREW TCB TC 5 X12 UNI 9707 TZ	2,00			--
0050	RCVR00772		CONNECTOR 1/4	1,00			--
0051	TBBP00481		TUBE -	0,48			--
0052	KTRI01989		KIT RECOVERY LID	1,00			--
0053	VTVT00311		SCREW TE M4X12	1,00			--
0054	FVSR00243		CLAMP 20/30	1,00			--
0055	VTRS05904		WASHER D. 4 X16 2.083	2,00			--
0056	VTDD00001		NUT UNI 5588 M3 ZB	2,00			--
0058	VTVT00035		SCREW M 3X 8 TS TC ZC	2,00			--



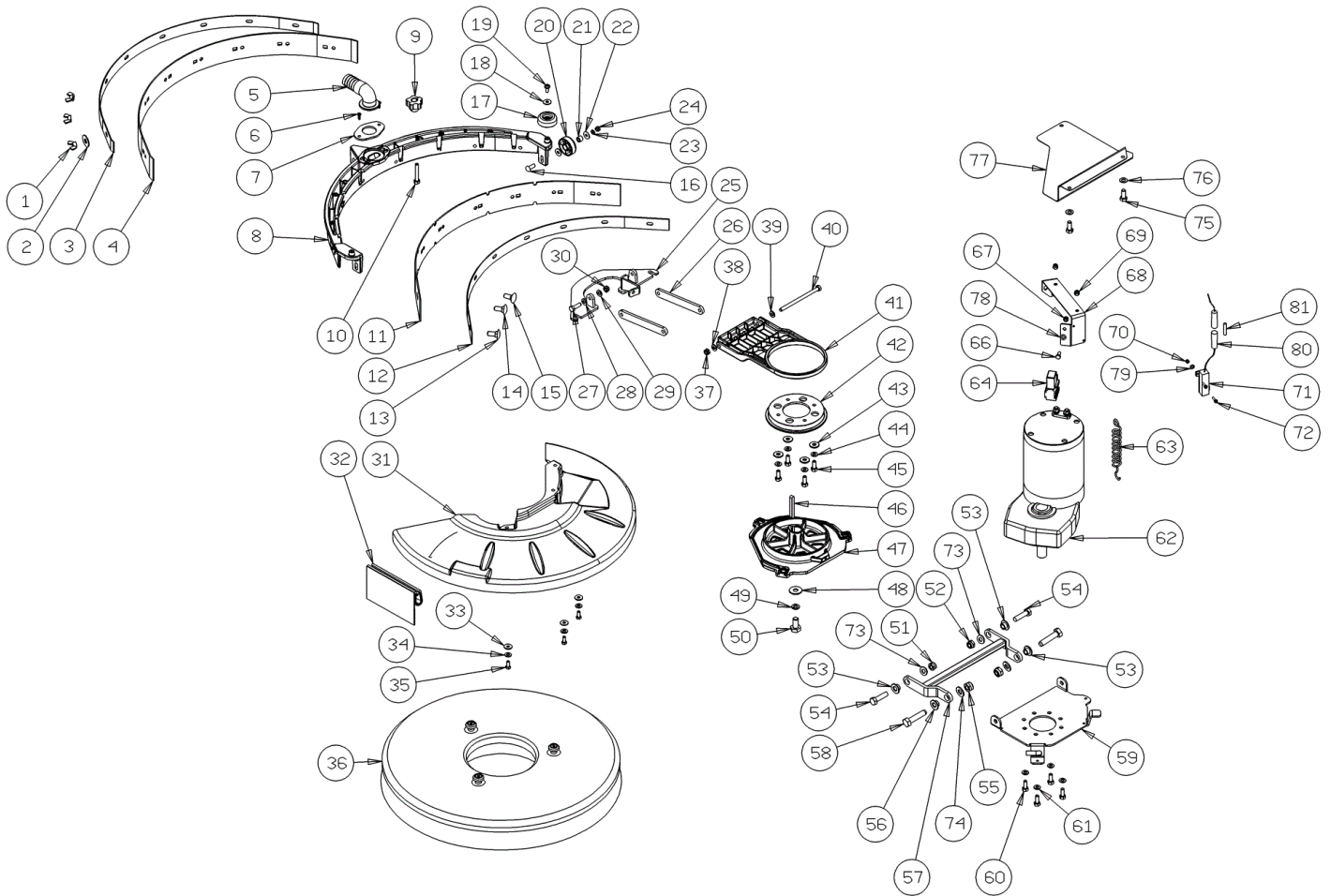
Ref. K	Part N.	Customer Part N.	Description	Qty	Validity:		Price
					From	To	
0001	VTVT01371		SCREW 4,8X19	4,00			--
0002	VTVT01372		SCREW 4,8X25	2,00			--
0003	VTVT01373		SCREW 4,8X38	1,00			--
0004	MPVR05837		HANDLE -	1,00			--
0005	MPVR05486		CRANKCASE -	1,00			--
0006	MPVR05490		LEVER -	1,00			--
0007	MECB01273		WIRING -	1,00		03/2012	--
0007	MECB01308		WIRING -	1,00	03/2012		--
0008	MERL00013		SWITCH -	1,00			--
0009	MPVR05490		LEVER -	1,00			--
0010	MPVR05488		LEVER -	1,00			--
0012	VTVT00800		SCREW TC 4X12 ZN	3,00			--
0013	ETET01667		LABEL -	1,00			--
0014	VTVT01377		SCREW TSP-TC M 3X5 UNI7688 INX	4,00			--
0015	LAFN08891		BRACKET -	1,00			--
0016	VTVR00481		INSERT FILETTATO M6	4,00			--
0017	MECE00554		BOARD CT30	1,00			--
0018	VTRS00268		WASHER D.3	4,00			--
0019	VTDD21115		NUT M 3 INOX	4,00			--
0020	MECB01288		CABLE FLAT CT30	1,00			--
0021	VTVT01375		SCREW 5X22	2,00			--
0022	MPVR05925		HOSE COLLAR CT15	1,00			--
0023	MPVR05925		HOSE COLLAR CT15	1,00			--
0024	MPVR49942		LEVER SHK PP	1,00			--
0025	VTRS00251		WASHER 4-16 INOX A2	1,00			--
0026	VTVT00800		SCREW TC 4X12 ZN	1,00			--
0027	MPVR05927		PIN CT15	1,00			--
0028	VTVT01374		SCREW 5X40	1,00			--
0029	MPVR05928		BUSHING CT15	1,00			--
0030	VTVT17639		SCREW TCEI M 5X10 UNI 5931	2,00			--
0031	VTRS08013		WASHER D. 5 GRW	2,00			--
0032	VTDD00042		NUT AUT.M10 UNI7474	1,00			--
0033	VTRS00505		WASHER D.10 TE UNI 6592	1,00			--
0034	LAFN07476		COVER -	1,00			--
0035	GUGO00437		O-RING -	1,00			--
0036	MTIG00125		GEAR -	1,00			--
0037	LAFN07475		SUPPORT -	1,00			--
0038	GUGO00437		O-RING -	1,00			--
0039	LAFN07477		COVER -	1,00			--



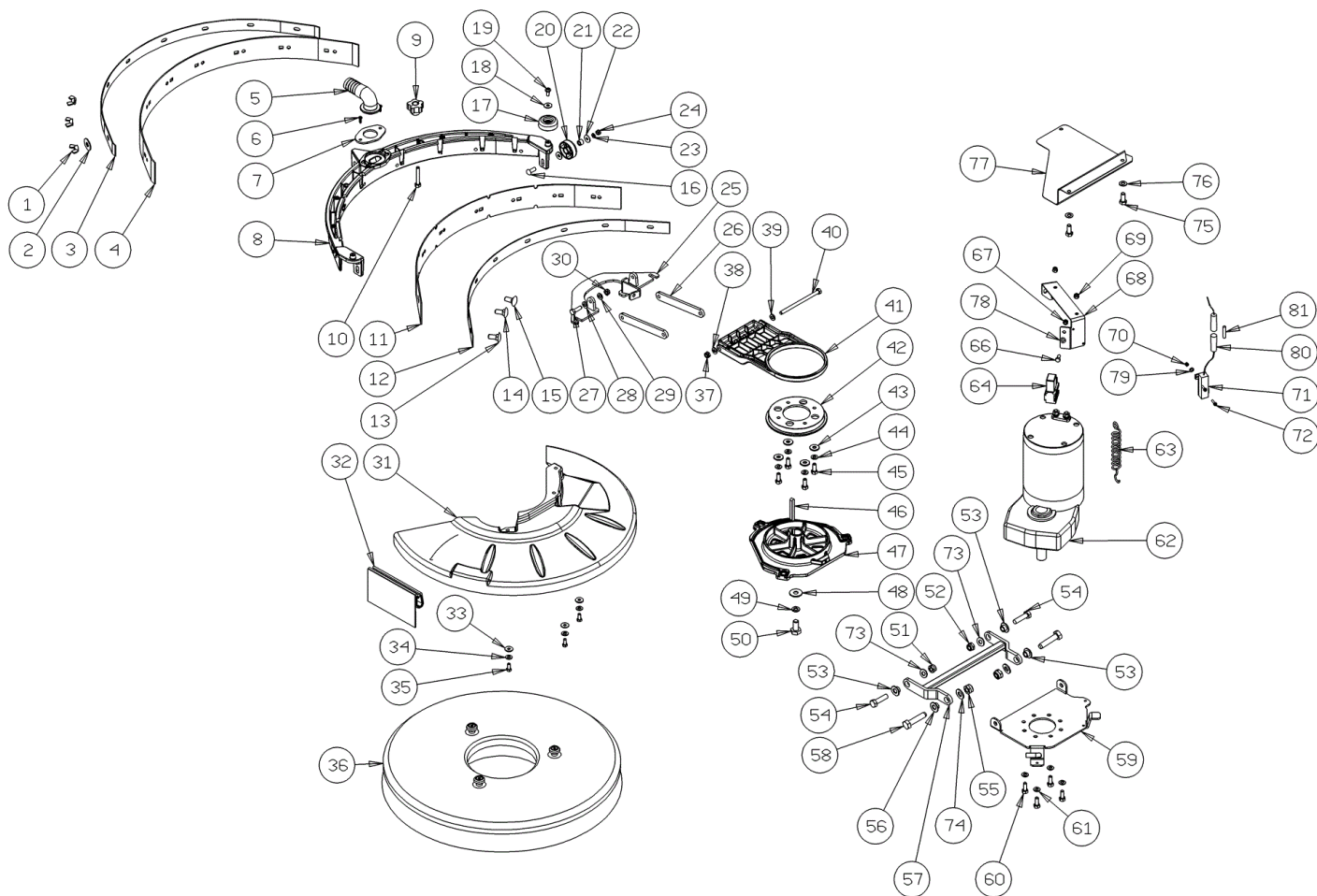
Ref. K	Part N.	Customer Part N.	Description	Qty	Validity:		Price
					From	To	
0040	LAFN07478		SUPPORT -	1,00			--
0041	VTDD00124		NUT M 8 BASSO	4,00			--
0042	VTVT29810		SCREW TCEI M 8X20 UNI 5931	4,00			--
0043	VTVT01205		SCREW -	1,00			--
0044	MTIG00126		GEAR	1,00			--
0045	MLML00319		SPRING -	1,00			--
0046	LAFN07917		SUPPORT -	1,00			--
0047	LAFN08898		BRACKET -	1,00			--
0048	LAFN07901		FRAME -	1,00			--
0049	LAFN09154		BUSHING CT30	2,00			--
0050	RTRT00537		WHEEL -	2,00			--
0051	VTRS00512		WASHER D. 8 X24 ZC.	2,00			--
0052	VTVT01110		SCREW TE 8X16 UNI5739	2,00			--
0053	LAFN09171		BRACKET -	1,00			--
0054	VTVT15143		SCREW TE 6X16 UNI5739	2,00			--
0055	VTDD01694		NUT M 6 INX	2,00			--
0056	LAFN09172		BUSHING -	1,00			--
0057	MPVR05965		WHEEL -	1,00			--
0058	VTDD00502		NUT M12	1,00			--
0059	VTRS15978		WASHER D.12X24 UNI 6592 INX	2,00			--
0060	RTRT00544		WHEEL D.80MXHC	1,00			--
0061	MPVR05967		CAP -	1,00			--
0062	CMCV00453		CABLE -	1,00			--
0063	VTRS00245		WASHER D.6 UNI 6592 INOX	2,00			--
0064	MPVR05926		SUPPORT CT15	1,00			--
0065	MEVR00686		FAIR-LEAD DIAMETER 15.5	1,00			--



Ref.	K	Part N.	Customer Part N.	Description	Qty	Validity:		Price
						From	To	
0001		VTDD00522		NUT M5	6,00			--
0002		VTRS13750		WASHER D. 5X14 INX	6,00			--
0003		LAFN07908		BRACKET -	1,00			--
0004		MPVR05954		FLAP -	1,00			--
0005		MPVR05831		CONNECTOR -	1,00			--
0006		VTVT48694		SCREW TCB TC 5 X12 UNI 9707 TZ	2,00			--
0007		LAFN08890		FLANGE -	1,00			--
0008		MPVR05914		FLOOR WIPER -	1,00			--
0009		MPVR05842		SMALL KNOB -	2,00			--
0010		VTVT15515		SCREW TE M 6X 50 INOX A2	2,00			--
0011		MPVR05953		FLAP -	1,00			--
0012		LAFN07907		BRACKET -	1,00			--
0013		VTVT01690		SCREW M5x25	2,00			--
0014		VTVT01691		SCREW M5x35	2,00			--
0015		VTVT01691		SCREW M5x35	2,00			--
0016		VTVT01693		SCREW M5x20	3,00			--
0017		MPVR05832		WHEEL -	2,00			--
0018		VTRS13750		WASHER D. 5X14 INX	2,00			--
0019		VTVT48694		SCREW TCB TC 5 X12 UNI 9707 TZ	2,00			--
0020		MPVR05832		WHEEL -	3,00			--
0021		LAFN08913		BUSHING -	3,00			--
0022		VTRS13750		WASHER D. 5X14 INX	6,00			--
0023		VTRS15908		WASHER D. 5 INX GRW UNI 1751	3,00			--
0024		VTDD01693		NUT M 5 INX	3,00			--
0025		LAFN07903		SUPPORT -	1,00			--
0026		LAFN07902		ARM -	2,00			--
0027		VTVT13939		SCREW TE 6X20 UNI5739 INX	2,00			--
0028		VTRS00245		WASHER D.6 UNI 6592 INOX	2,00			--
0029		VTRS00245		WASHER D.6 UNI 6592 INOX	2,00			--
0030		VTDD01694		NUT M 6 INX	2,00			--
0031		MPVR05916		COVER -	1,00			--
0032		MPVR05966		FLAP -	1,00			--
0033		VTRS13750		WASHER D. 5X14 INX	3,00			--
0034		VTRS15908		WASHER D. 5 INX GRW UNI 1751	3,00			--
0035		VTVT01300		SCREW TE M5X12 INOX	3,00			--
0036		SPPV01313		BRUSH D.450 NYLON 0,8	1,00			--
0037		VTDD01694		NUT M 6 INX	1,00			--
0038		VTRS00245		WASHER D.6 UNI 6592 INOX	1,00			--
0039		VTRS00245		WASHER D.6 UNI 6592 INOX	1,00			--

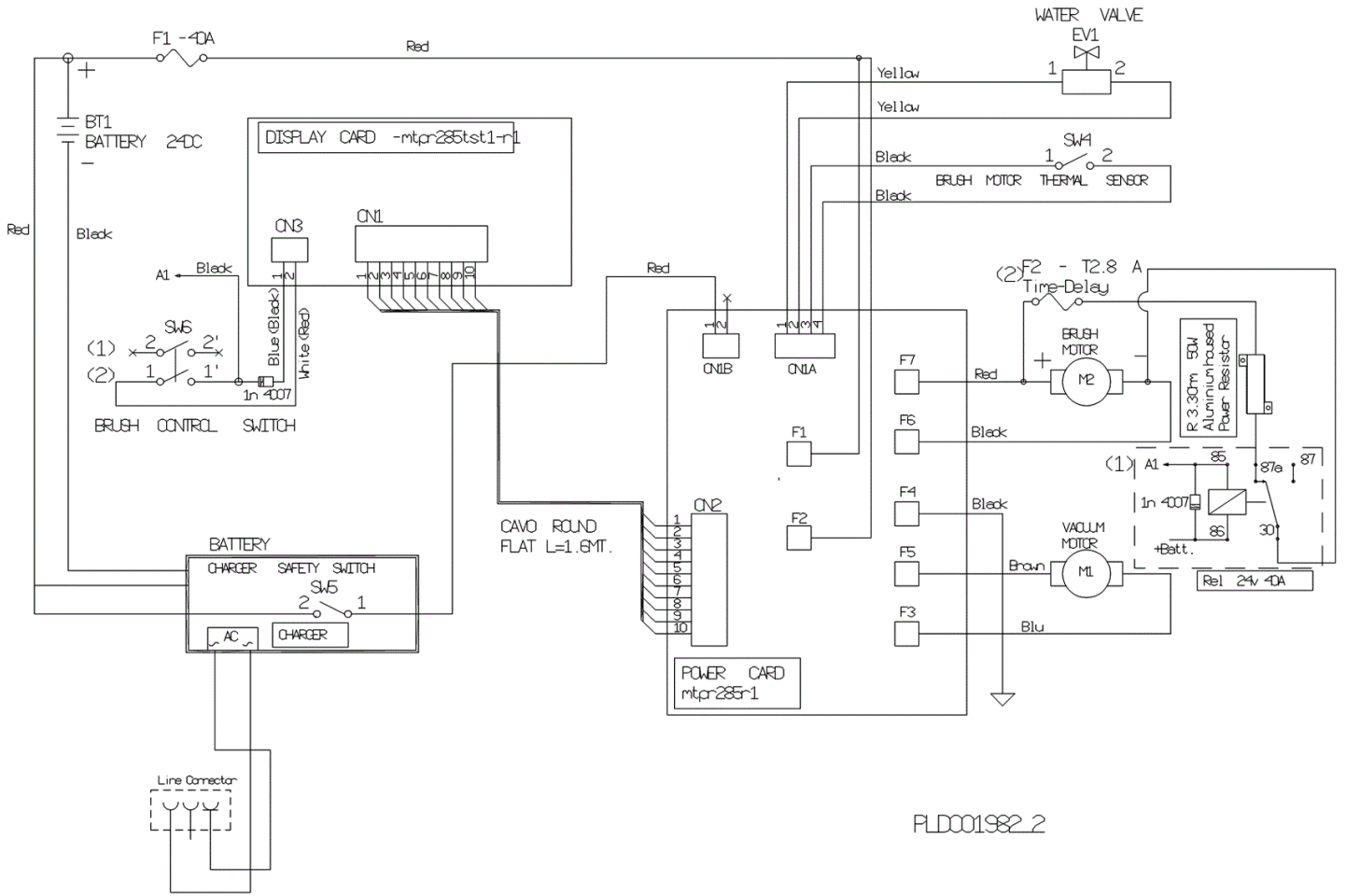


Ref.	K	Part N.	Customer Part N.	Description	Qty	Validity:		Price
						From	To	
0040		VTVT01692		SCREW M6X125	1,00			--
0041		MPVR05829		SUPPORT -	1,00			--
0042		MPVR05830		BRACKET -	1,00			--
0043		VTRS13945		WASHER D. 6X18 INX UNI 6593	4,00			--
0044		VTRS15144		WASHER D. 6 INX GRW UNI 1751	4,00			--
0045		VTVT13939		SCREW TE 6X20 UNI5739 INX	4,00			--
0046		VTVR16617		KEY 6X 6X30 UNI 6604	1,00			--
0047		MFVR00212		DRIVE DISK	1,00			--
0048		VTRS13946		WASHER D. 8 X24 INX UNI 6593	1,00			--
0049		VTRS15146		WASHER D. 8 INX GRW UNI 1751	1,00			--
0050		VTVT13938		SCREW TE 8X20 UNI5739 INX	1,00			--
0051		VTDD01695		NUT M 8 INX	1,00			--
0052		VTDD01695		NUT M 8 INX	1,00			--
0053		LAFN06391		BUSHING PARALLELOGRAMMA	3,00			--
0054		VTVT00410		SCREW TE M8x35 UNI5739 INOX	2,00			--
0055		VTDD01695		NUT M 8 INX	2,00			--
0056		LAFN51068	#8479.90.9498	BUSHING LEVA POSTER.	1,00			--
0057		LAFN07910		BRACKET -	1,00			--
0058		VTVT15907		SCREW TE 8X25 UNI5739 INX	2,00			--
0059		LAFN07905		SUPPORT -	1,00			--
0060		VTVT15906		SCREW TE 6X 12 A2 UNI 5739	4,00			--
0061		VTRS15144		WASHER D. 6 INX GRW UNI 1751	4,00			--
0062		MOCC00406		MOTOR	1,00			--
0063		MLML00065		SPRING L0=80 De=12 Df=1.7	1,00			--
0064		MECI00005		RELAY 24V 10/20A	1,00			--
0066		VTVT34115		SCREW TE M 5X 10 UNI 5739	1,00			--
0067		VTDD01693		NUT M 5 INX	1,00			--
0068		LAFN07906		BRACKET -	1,00			--
0069		VTDD00128		SELF-LOCJ.NUT M5	2,00			--
0070		VTDD21115		NUT M 3 INOX	2,00			--
0071		MEVR02066		RESISTANCE 3,3ohm 50W	1,00			--
0072		VTVT00743		SCREW TC+ M. 3-8	2,00			--
0073		VTRS13947		WASHER D. 8 INX UNI 6592	2,00			--
0074		VTRS13947		WASHER D. 8 INX UNI 6592	4,00			--
0075		VTVT34115		SCREW TE M 5X 10 UNI 5739	3,00			--
0076		VTRS13750		WASHER D. 5X14 INX	3,00			--
0077		MPVR05957		PROTECTION -	1,00			--
0078		VTRS13750		WASHER D. 5X14 INX	1,00			--
0079		VTRS27296		WASHER GROWER 3 ZNT	2,00			--



Ref. K	Part N.	Customer Part N.	Description	Qty	Validity:		Price
					From	To	
0080	MEVR00080		FUSE-HOLDER PV610 10A	1,00	03/2012		--
0081	MEVR01747		FUSE 6X32 2,8A T	1,00	03/2012		--





FLD001982.2

Ref.	K	Part N.	Customer Part N.	Description	Qty	Validity:		Price
						From	To	
EV1		MEEV00042		SOLENOID VALVE	1,00			--
F1		MEVR02048		FUSE 40A	1,00			--
M1		MOCC00397		MOTOR CT15	1,00			--
M2		MOCC00406		MOTOR	1,00			--